

**BRASS EXPRESS COUPLING PN10 ( 2280-2288 )**



**Size :** DN 1/4" to DN 1"1/4

**Ends :** Female, Male and hose coupling

**Min Temperature :** - 5°C

**Max Temperature :** + 60°C

**Max Pressure :** 10 Bars

**Specifications :** Brass coupling

NBR coupling

NFE 29573 standard

**Materials :** Brass

**BRASS EXPRESS COUPLING PN10 ( 2280-2288 )**

**SPECIFICATIONS :**

- Brass coupling
- NBR gasket (only for Ref. 2280-2283 )
- NFE 29573 standard
- Between claws 41 mm

**USE :**

- Water and compressed air
- Min and max Temperature Ts : - 5°C to + 60°C
- Max Pressure PN : 10 Bars

**RANGE :**

- Hose coupler with NBR gasket **Ref.2280** from DN 7 to DN 25
- Male coupler threaded BSP with NBR gasket **Ref.2281** from DN 1/4" to DN 1"1/4
- Female coupler threaded BSP with NBR gasket **Ref.2282** from DN 1/4" to DN 1"1/4
- Cap coupler with NBR gasket **Ref.2283**
- Hose coupler without gasket **Ref.2285** from DN 7 to DN 25
- Male coupler threaded BSP without gasket **Ref.2286** from DN 1/4" to DN 1"1/4
- Female coupler threaded BSP without gasket **Ref.2287** from DN 1/4" to DN 1"1/4
- Cap coupler without gasket **Ref.2288**
- Steel Claw camps **Ref. 98440** from DN 7 to DN 25
- NBR standard gasket Ø 20 mm **Ref. 9830984**
- NBR reduced bore gasket Ø 15 mm **Ref. 9830983**

**MATERIALS :**

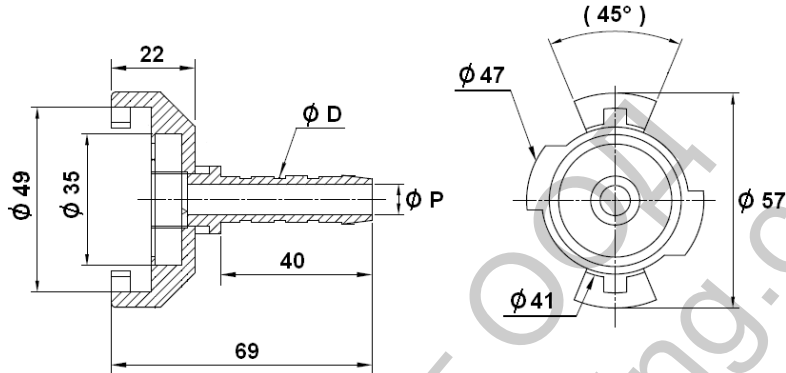


| Designation | Materials |
|-------------|-----------|
| Body        | Brass     |
| Gasket      | NBR       |

**BRASS EXPRESS COUPLING PN10 ( 2280-2288 )**

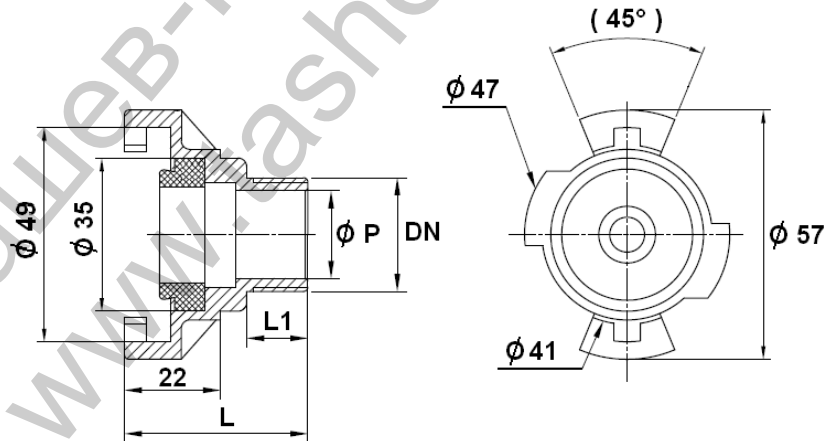
**SIZE ( in mm ) :**

- Hose coupler Ref.2280 and 2285



| Ref. | DN          | 7     | 9     | 11    | 13    | 16    | 19    | 22    | 25    |
|------|-------------|-------|-------|-------|-------|-------|-------|-------|-------|
| 2280 | $\phi D$    | 7.4   | 9     | 11    | 13    | 16    | 19    | 22    | 25    |
| 2285 | $\phi P$    | 5.5   | 6     | 8     | 10    | 12    | 15    | 18    | 21    |
| 2280 | Weight (Kg) | 0.102 | 0.111 | 0.108 | 0.114 | 0.117 | 0.135 | 0.136 | 0.156 |
| 2285 | Weight (Kg) | 0.108 | 0.106 | 0.103 | 0.109 | 0.112 | 0.130 | 0.131 | 0.151 |

- Male coupler Ref. 2281 and 2286

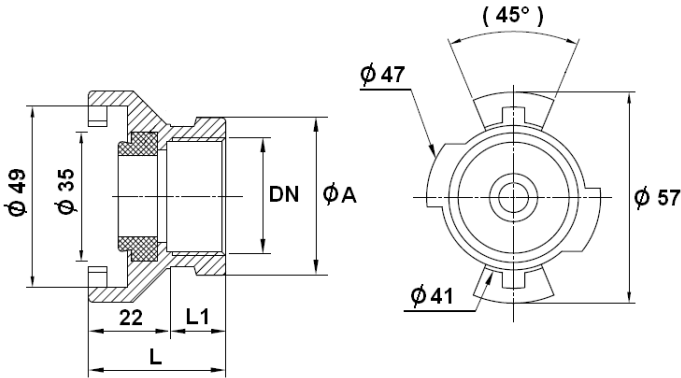


| Ref. | DN          | 1/4"  | 3/8"  | 1/2"  | 3/4"  | 1"    | 1"1/4" |
|------|-------------|-------|-------|-------|-------|-------|--------|
| 2281 | $\phi P$    | 8     | 10    | 15    | 20    | 25    | 32     |
| 2286 | L           | 38    | 39    | 42    | 42    | 42    | 47     |
|      | L1          | 10.5  | 11    | 14    | 14    | 14    | 17     |
| 2281 | Weight (Kg) | 0.097 | 0.106 | 0.110 | 0.110 | 0.127 | 0.180  |
| 2286 | Weight (Kg) | 0.092 | 0.101 | 0.105 | 0.105 | 0.122 | 0.175  |

**BRASS EXPRESS COUPLING PN10 ( 2280-2288 )**

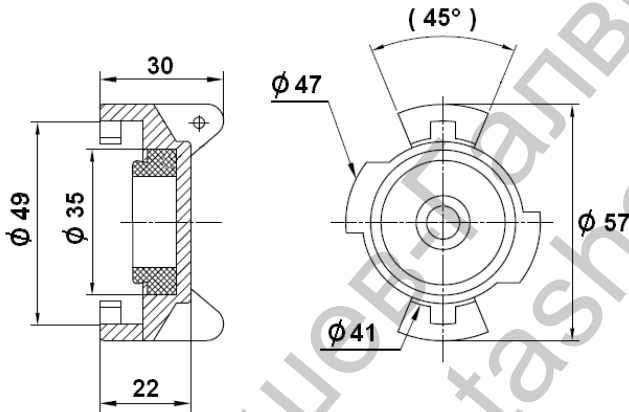
**SIZE ( in mm ) :**

- Female coupler Ref. 2282 and 2287



| Ref. | DN          | 1/4"  | 3/8"  | 1/2"  | 3/4"  | 1"    | 1 1/4" |
|------|-------------|-------|-------|-------|-------|-------|--------|
| 2282 | Ø A         | 18.5  | 22.5  | 27.5  | 34.5  | 42.5  | 52     |
| 2287 | L           | 33    | 33    | 33    | 36    | 37    | 44     |
|      | L1          | 11    | 11    | 11    | 14    | 14.5  | 16     |
| 2282 | Weight (Kg) | 0.095 | 0.097 | 0.097 | 0.120 | 0.130 | 0.190  |
| 2287 | Weight (Kg) | 0.090 | 0.092 | 0.092 | 0.115 | 0.125 | 0.185  |

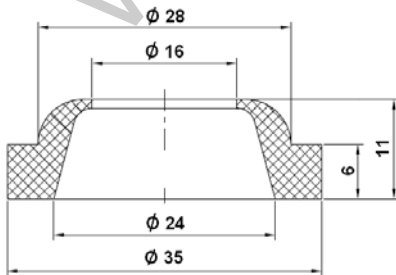
- Cap coupler Ref.2283 and 2288



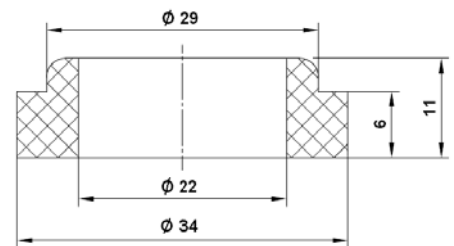
| Ref. | DN          | Tous  |
|------|-------------|-------|
| 2283 | Weight (Kg) | 0.100 |
| 2288 | Weight (Kg) | 0.095 |

- NBR gasket Ref.983098

Reduced bore black NBR gasket Ref. 9830983



Standard black NBR gasket Ref. 9830984



**BRASS EXPRESS COUPLING PN10 ( 2280-2288 )**
**SIZE ( in mm ) :**

- Steel claw camps Ref.98440



| REF.  | DN          | 15    | 17    | 20    | 23    | 26    | 29    | 32    | 36    | 38    |
|-------|-------------|-------|-------|-------|-------|-------|-------|-------|-------|-------|
| 98440 | Ø External  | 14/16 | 16/18 | 19/21 | 22/24 | 25/27 | 28/30 | 31/33 | 34/37 | 37/39 |
|       | Ø Internal  | 7     | 9     | 10    | 11    | 13    | 16-19 | 19    | 22    | 25    |
|       | Weight (Kg) | 0.037 | 0.040 | 0.040 | 0.047 | 0.057 | 0.061 | 0.072 | 0.077 | 0.117 |

**STANDARDS :**

- Fabrication according to ISO 9001 : 2008
- Directive 97/23/CE : Products excluded from directive ( Article 1, § 3.2 )
- Designing according to NFE 29573
- Threaded BSP according to NF EN ISO 228-1

**ADVICE :** Our opinion and our advice are not guaranteed and SFERACO shall not be liable for the consequences of damages. The customer must check the right choice of the products with the real service conditions.